

### Features

1. For drinking water.
2. Quick response.
3. Ex-proof coil T4 as optional accessory.
4. Timer for setting on/off time as optional accessory.
5. CE conformity for all series.
6. Coil nut is available, please refer to page 5-3.
7. WRAS certified number: 1704353



### How to order

PU220D	—	03	N	—	S1	L	E
Brass Assisted lift (For drinking Water)	Port size	Thread	Voltage	Led	Ex-Proof coil		
	03: 3/8"	Blank: G	S1: 110VAC	Blank: W/O LED	Blank: Standard		
	04: 1/2"	N : NPT	S2: 220VAC	L : W/I LED	E: EX-proof coil		
	06: 3/4"	R : Rc	S6: 24VAC				
	08: 1"		S7: 12VDC				
			S9: 24VDC				

### How to order Repair kit

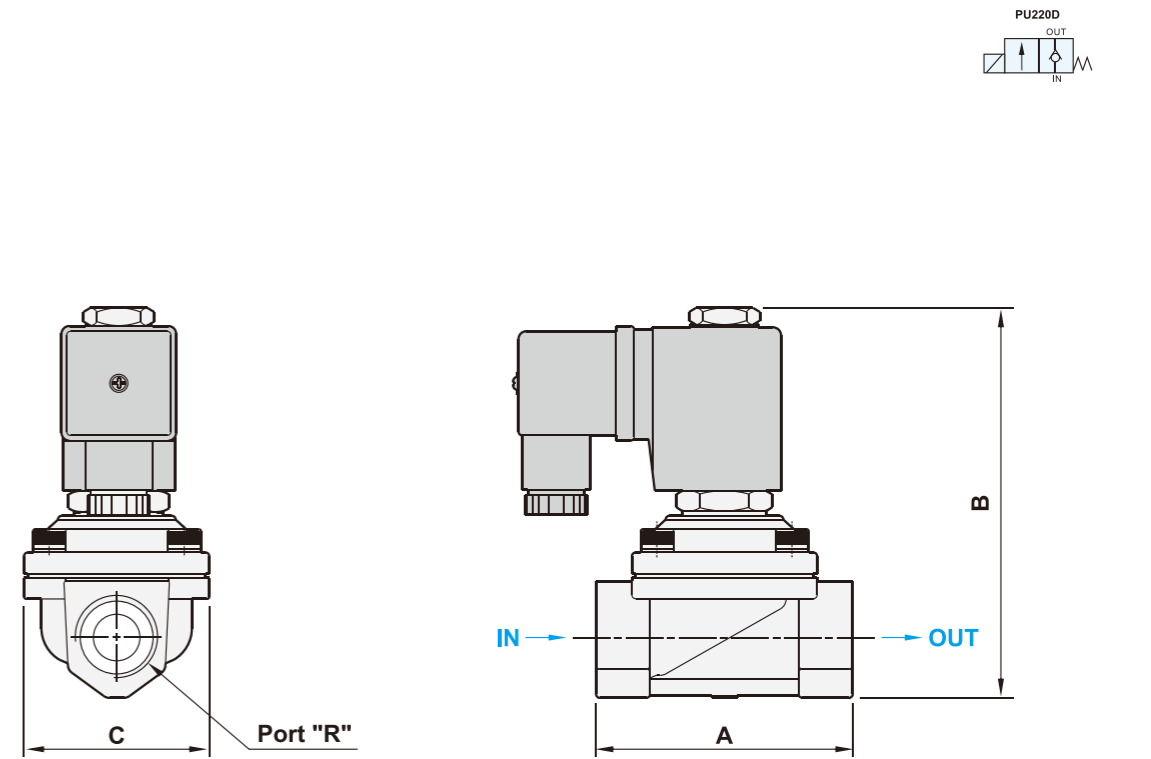
ZGPU220D	—	03EW		
Repair kit	Port size	Description	Qty.	
	03EW : 3/8", 1/2"	Diaphragm set	1	
	06EW : 3/4"	Spring	1	
	08EW : 1"			

### Specifications

Model	PU220D-03	PU220D-04	PU220D-06	PU220D-08
Port size	3/8"	1/2"	3/4"	1"
Fluid	Compressed air / Water			
Orifice	13mm	13mm	20mm	25mm
Effective area	76mm <sup>2</sup>	76mm <sup>2</sup>	162mm <sup>2</sup>	220mm <sup>2</sup>
Acting	Assisted lift			
Construction	Diaphragm			
Operating pressure range AC	0 ~ 7 kgf/cm <sup>2</sup>			
Operating pressure range DC	0 ~ 6 kgf/cm <sup>2</sup>		0 ~ 5 kgf/cm <sup>2</sup>	
Proof pressure	10 kgf/cm <sup>2</sup>			
Body material / Seal material	Forged Brass / EPDM (WRAS certified)			
Fluid temperature	4°C ~ 90°C			
Ambient temperature	4°C ~ 60°C			
Installation	Horizontal			
Duty cycle	100% ED			
Coil type	DIN			
Protection class	IP65 (DIN 40 050)			
Insulation class	F			
Voltage tolerance	±10%			
Standard voltage	220VAC, 110VAC, 24VDC, the other voltage is optional			
Power consumption	AC110V:17.6VA, AC220V:18.1VA, DC: 15W			
Net weight	530g	500g	680g	1150g

### Dimensions

#### PU220D Standard type



Model	PU220D-03	PU220D-04	PU220D-06	PU220D-08
R	3/8"	1/2"	3/4"	1"
A	66.5	66.5	71	96
B	101	101	107	120.5
C	48	48	58	70