

Media: air – water – gases – liquid
 Pressure range: 0 to 10 Bar max
 Media temp: +2°C to +55°C max
 Ambient temperature: +15°C to +50°C
 Media viscosity: 500 centistokes max
 Duty cycle: 50,000
 Mounting: Any
 Seals: EPDM/PTFE

Actuated PVC Ball Valve

1/2 – 1
STANDARD + FAILSAFE
2 WAY DIRECT
 0 – 10 Bar
TYPE ABVM-PE



PRESSURE

Ø Port BSP	Orifice mm	Operating Time Seconds	Pressure Rating (Bar) ΔP		Voltage	Part Number
			Min	Max		
1/2	14	5	0	10	9 to 24v AC or DC	ABVM04PE/9AR + option
					110 to 240vAC	ABVM04PE/2AR + option
3/4	17	5	0	10	9 to 24v AC or DC	ABVM06PE/9AR + option
					110 to 240vAC	ABVM06PE/2AR + option
1	26	5	0	10	9 to 24v AC or DC	ABVM08PE/9AR + option
					110 to 240vAC	ABVM08PE/2AR + option

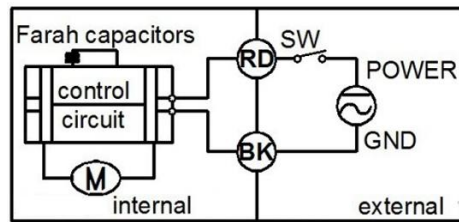
OPTIONS

Visual Position Indication, Failsafe Closed (+AR), Failsafe Open (+AR-NO)
 Manual Override (Lift + Turn +MO) 9-24 volt only. (Not IP67)
 3 wire control (power open and power closed)
 Fully Open + Closed volt free position feedback switches (+E2), Rated 0 to 36vDC 0.4 Amp Max
 Sun and rain protection cover
 WRAS Stainless, 3 way + Brass Ball Valves or longer lead wire, different voltage and more

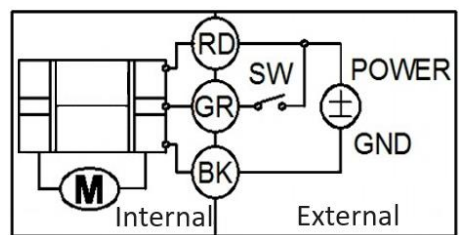
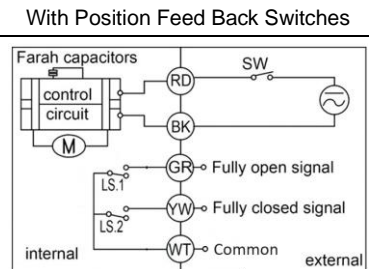
Included

ELECTRICAL DATA

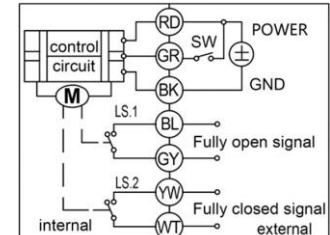
Voltage Min - Max Continuous Duty 100%	Actuator		Power		Enclosure	Electrical connections
	Model	Torque	Moving	Holding		
9 to 24 volts AC 50/60Hz or DC	ABVM	2 Nm	5 Watts	0.22 Watts	IP67	0.5 meter lead wires
110 to 240 volts AC 50/60Hz				0.6 Watts		



Failsafe Control.
 Power ON motor actuates valve into powered position and then automatically powers off. Valve stays in powered position.
 Power OFF motor actuates valve back to start position using reserve power. Valve stays in start position.
Failsafe requires 10-15 seconds Power On to recharge the Farah capacitors.



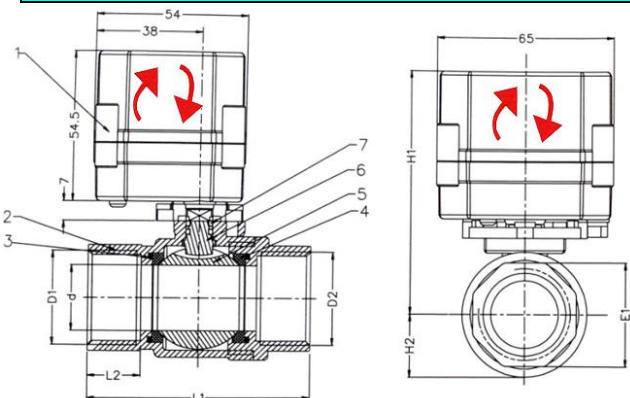
3 Wire Control
 Power ON to GREEN motor actuates valve into powered position and then automatically powers off. Valve stays in powered position.
 Power OFF to GREEN motor actuates valve back to start position and then automatically powers off. Valve stays in start position.



CONSTRUCTION

Valve Body: PVC static test pressure 10 Bar.
 Seals: Stem 2x PTFE, Ball EPDM/PTFE Floating no leakage design
 ABVM Actuator: ABS Engineering Plastic, Gears: Metal, Factory function test 200 cycles Open/Close

OVERALL DIMENSIONS



Port D1/D2	d	L1	L2	E1	H1	H2	Kg
1/2	14	60	12.6	30	76.5	19.5	0.26
3/4	17	72	17	37	77.5	22	0.29
1	26	96	21	50	94	28	0.34

Reference	Description	Material
1	Actuator	ABS
2	Body Cover	PVC
3	O Ring	EPDM
4	Sealing	PTFE
5	Ball	PVC
6	Stem	PVC
7	O Ring	EPDM