

Media: Air – Water – Gas- Fluid  
 Back pressure range: 0.3 to 1.5 Bar  
 Media temperature: -15°C to +60°C max  
 Ambient temperature: +60°C max  
 Media viscosity: 40 centistokes max  
 Mounting: Gauge upright, stem down

# Pressure Sustaining Valve

1/2 – 2" or DN15 – DN50  
 316 STAINLESS STEEL  
 DIRECT ACTING  
 0.3 – 1.5 Bar  
 TYPE RFLT + RFLF



### PRESSURE

Ø Port BSPT	Flow L/min	Max Inlet Bar	Adjustable Pressure Sustaining Range (Bar)		Part Number		
			Minimum	Maximum			
1/2	34.32	5	0.3	1.5	RFLT15S + seal material		
3/4	128.7	5	0.3	1.5	RFLT20S + seal material		
1	157.3	5	0.3	1.5	RFLT25S + seal material		
1 1/2	300.3	5	0.3	1.5	RFLT40S + seal material		
2	357.5	5	0.3	1.5	RFLT50S + seal material		
<b>Port PN16 Flange</b>							
DN15	34.32	5	0.3	1.5	RFLF15S + seal material		
DN20	128.7	5	0.3	1.5	RFLF20S + seal material		
DN25	157.3	5	0.3	1.5	RFLF25S + seal material		
DN40	300.3	5	0.3	1.5	RFLF40S + seal material		
DN50	357.5	5	0.3	1.5	RFLF50S + seal material		

### OPTIONS

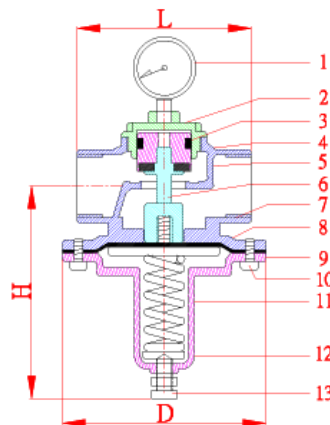
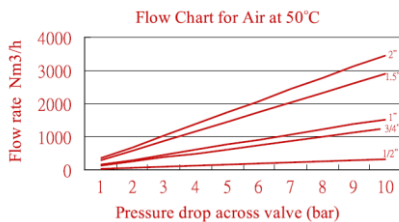
Pressure Gauge (316 Stainless steel) displays back sustained pressure.  
 Other flange ANSI150Lb, JIS10K, JIS20K and NPT or BSPP (G) thread options  
 Duplex 316 stainless steel  
 Other custom-made seal and pressure options available upon request

Included

### CONSTRUCTION

Body, Piston & shaft: 316 stainless steel  
 Seals: NBR or FKM  
 Spring: steel  
 Fixing bolts and adjusting stem: 304 stainless steel  
 Test Pressure: 16 Bar

### OVERALL DIMENSIONS



Part No:	Port	H mm	L mm	Kg
RFLT15	1/2	110	70	1.3
RFLT20	3/4	125	85	1.5
RFLT25	1	125	90	1.6
RFLT40	1 1/2	155	115	3
RFLT50	2	155	120	4
RFLF15	DN15 PN16	110	150	2.5
RFLF20	DN20 PN16	125	150	3.5
RFLF25	DN25 PN16	125	150	5.6
RFLF40	DN40 PN16	155	190	8.7
RFLF50	DN50 PN16	155	190	13.5

NO	Part Name	Material	No	Part Name	Material
1	Gauge	Stainless Steel	8	Diaphragm	EPDM or Viton
2	Upper cover	Stainless Steel 316	9	Lower cover	Stainless Steel 316
3	U-Ring	NBR or Viton	10	Fixed bolt	Stainless Steel 304
4	Piston	Stainless Steel 316	11	Spring	Spring steel
5	Sealing spacer	NBR or Viton	12	Washer	Brass
6	Shaft	Stainless Steel 316	13	Adjusting stem	Stainless Steel 304
7	Main body	Stainless Steel 316			