

Media: air – water - oil
 Pressure range: 0 to 40 Bar max
 Media temperature: -20°C +95°C max
 Ambient temperature: -10°C to +50°C
 Media viscosity: 500 centistokes max
 Mounting: any position
 Compressed air supply: 5 - 8 Bar
 ISO5211, DIN3337, VD+VDE3845
 Namur

WRAS BALL VALVE

1/2 - 2"

Single + Double Acting

Pneumatic Actuated Ball Valve

0 – 40 Bar

TYPE AABVW



PRESSURE

Ø Port BSP	Actuator		Pressure (Bar)		Part Number
			Min	Max	
1/2	52AR	Spring Return	0	40	AABVW-04AR
3/4	52AR		0	40	AABVW-06AR
1	52AR		0	40	AABVW-08AR
1 1/4	63AR		0	40	AABVW-12AR
1 1/2	75AR		0	40	AABVW-14AR
2	75AR		0	40	AABVW-20AR
1/2	52DA	Double Acting	0	40	AABVW-04DA
3/4	52DA		0	40	AABVW-06DA
1	52DA		0	40	AABVW-08DA
1 1/4	63DA		0	40	AABVW-12DA
1 1/2	63DA		0	40	AABVW-14DA
2	63DA		0	40	AABVW-20DA

OPTIONS

NPT Thread
 Namur Solenoid Valve (CY525S single acting)

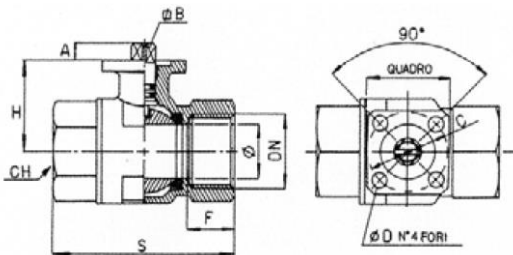
CONSTRUCTION

Ball valve: Body Brass Nickel Plated, Ball + Stem Brass, Seals, and gaskets: PTFE + NBR, Actuator: Aluminium Alloy

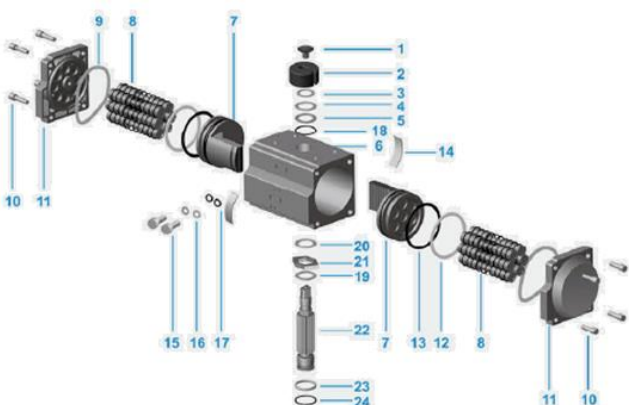
Output Torque at 5 Bar air

Actuator/Torque	52AR	63AR	75AR	83AR	52DA	63DA	75DA
Air Start 0° (NM)	11.5	22.8	28.8	46.7	20	36	50
Air End 90° (NM)	6.7	15.6	21.2	32.3			
Spring Start 90° (NM)	12.4	20.9	29	46	-	-	-
Spring End 0° (NM)	8.5	13.7	21.1	31.6	-	-	-
Hex Drive	11	14	14	17	11	14	14
ISO5211 mount	F03/05	F05/07	F05/07	F05/07	F03/05	F05/07	F05/07

OVERALL DIMENSIONS



Dimensions (mm)					
DN	Ø	ØD	□	□ B	A
1/2	15	5.5	38	9	7
3/4	20	5.5	38	9	8
1	25	5.5	38	9	8
1 1/4	32	5.5	38	14	8
1 1/2	40	6.5	50	14	14.5
2	50	6.5	50	14	14.5



No	Description	Qty	Material	Wearing Parts
1	Indicator Screw	1	PA66 + SS	
2	Indicator	1	POM	
3	Spring Clip	1	Circlip	
4	Washer	1	Stainless	
5	Outside Washer	1	PTFE	
6	Body	1	Aluminium Alloy Hard Anodised	
7	Piston	2	Cast Aluminium Hard Anodised	
8	Spring Assembly	TBA	60Si2Mn2 + PA66 Dip coated	
9	End cap O ring	2	NBR/HNBR/FKM	YES
10	Cap Screw	8	Stainless steel	
11	End Cap	2	Cast Aluminium Powder Coated	
12	Bearing piston	2	PTFE	
13	O ring piston	2	NBR/HNBR/FKM	YES
14	Guide piston	2	POM	
15	Adjusting bolt	2	Stainless steel	
16	Adjusting screw nut	2	Stainless steel	
17	O ring adjusting nut	2	NBR/HNBR/FKM	
18	O ring piston top	1	NBR/HNBR/FKM	YES
19	Bearing pinion top	1	PTFE	YES
20	Inside washer	1	PTFE	
21	Cam	1	Stainless steel	
22	Pinion	1	Alloy Steel Nickel Plated	
23	Bearing pinion bottom	1	PTFE	
24	O ring pinion bottom	1	NBR/HNBR/FKM	YES

