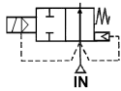


Media: water
 Pressure range: 0.65 to 10 Bar max
 Media temperature: +60° C max
 Ambient temperature: 0° to +60°C
 Media viscosity: 22 centistokes max
 Mounting: any position



2/2 Irrigation Valve

1", 2" & 3" BSP + 4" SW

N/CLOSED & LATCHING

2 WAY SERVO ASSISTED

0.65 to 10 Bar

TYPE PN225A



PRESSURE

Ø Port	Ø Orifice (mm)	Options Included	Flow Rate		Pressure Rating (Bar)		Seals	Function	Part Number
			Kv M ³ Hr	USG Min	Min diff	Max diff			
1 BSPT	25	Manual Override Flow Controller	7.7	35	0.65	10	NBR	Normally Closed	PN22508A + voltage
								Latching	PN22508AL-6-40vDC
1 1/2 BSPT	40	Manual Override	25	110	0.65	10	NBR	Normally Closed	PN22514A + voltage
								Latching	PN22514AL-6-40vDC
2 BSPT	50	Manual Override	40	180	0.65	10	NBR	Normally Closed	PN22520A + voltage
								Latching	PN22520AL-6-40vDC
3 BSPT	80	Manual Override	90	400	0.65	10	NBR	Normally Closed	PN22528A + voltage
								Latching	PN22528AL-6-40vDC
4 Weld	100	Manual Override	160	700	0.65	10	NBR	Normally Closed	PN22532SW + voltage
								Latching	PN22528SWL-6-40vDC

OPTIONS

IP66 weather proof coil with flying lead wire
 NPT Thread

ELECTRICAL DATA

Voltage (-10% + 10%) Continuous duty 100%		Coil Size	Power	Insulation class	Enclosure	Electrical connections
~	24 – 110 – 230 (50 or 60 Hz)	2W	12.5VA	F 155°C	IP 66	Flying lead wire
=	12 – 24 (DC)		12.5 Watts			
=	6 to 40vDC (Req 4700µf capacitor) Pulse 20 – 100msec	2WL	2.2 Watts 6Ω			

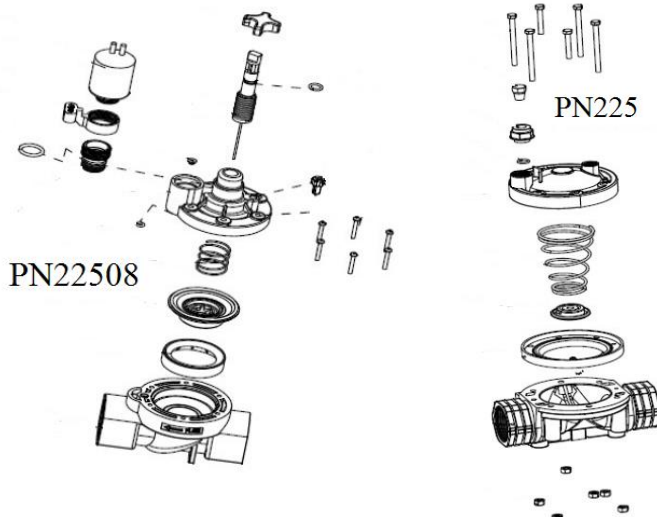
CONSTRUCTION

Body: Glass Reinforced UV resistant PA66
 Tube, internal parts and bolts: Stainless steel
 Seals and gaskets: NBR
 Moulded coil: Resin

REPAIR KIT

Diaphragm Seal	225N + port + seal material
Coil	2W + voltage

OVERALL DIMENSIONS



Port	H	L	P	Kg
1	133	119	44	0.6
1 1/2	104	190	61	1.35
2	104	200	75	1.8
3	159	257	111	2.2
4	201	278	136	5

