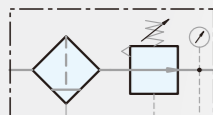


Symbol



Filter Regulator

Features

- * Remove water and particle effectively.
- * 40 μ m and 5 μ m filter element are easily interchangeable and replaceable.
- * Accurate and easy pressure setting.



Patent number in Taiwan : 684011
Patent number in China : ZL200420019530. 2
Patent category : Pressure regulating constructions

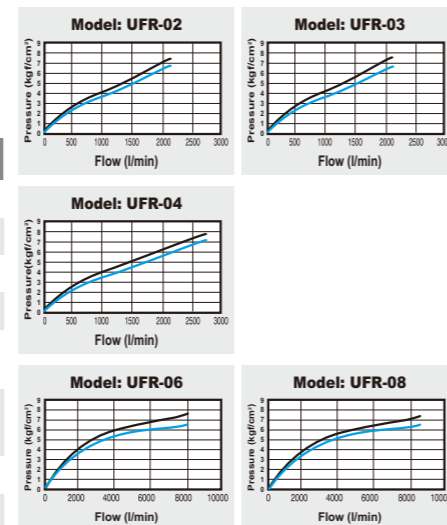
How to order

UFR	02	N	C	H	A
Filter Regulator	Port size	Thread	Filtration	Drain	Bowl
	02 1/4"	Blank G	PE	Blank Semi-auto drain	Blank Standard bowl
	03 3/8"	N NPT	Blank 5 μ m	H Manual drain	A Anti-acid & alkali bowl
	04 1/2"	R Rc	C 40 μ m	D Auto drain	AL Aluminum bowl (1/4"~1/2")
	06 3/4"		Sintered brass		
	08 1"		S 5 μ m		
			T 40 μ m		

Specifications

Model	UFR-02	UFR-03	UFR-04	UFR-06	UFR-08
Port size	1/4"	3/8"	1/2"	3/4"	1"
Fluid	Compressed air				
Regulator construction	Piston				
Body material	Aluminum die-cast				
Bowl material	Polycarbonate (Standard), Anti-acid & alkali bowl (Option), Aluminum bowl (Option)				
Filtration	PE: 5 μ m (Standard), 40 μ m (Option) Sintered brass (Option): 5 μ m, 40 μ m				
Operating pressure range	0.5 ~ 10 kgf/cm ²				
Proof pressure (Standard bowl)	15 kgf/cm ²				
Max. flow rate l/min (ANR)	2080	2100	2600	7940	8200
Ambient temperature	-10 $^{\circ}$ C ~ 60 $^{\circ}$ C				
Filter bowl capacity	105cc		210cc		
Standard drain	Semi-auto drain (Drains below 0.5kgf/cm ²)				
Net weight	930g (W/I Aluminum bowl, 1230g)		1360g		
Accessories	Pressure gauge, Mounting bracket set, Plug				

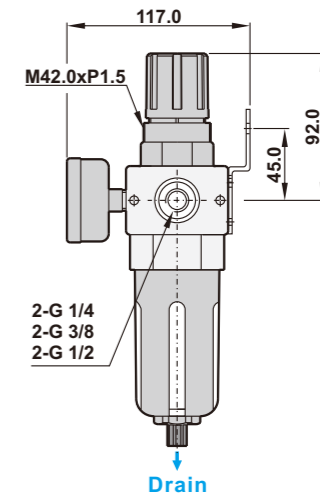
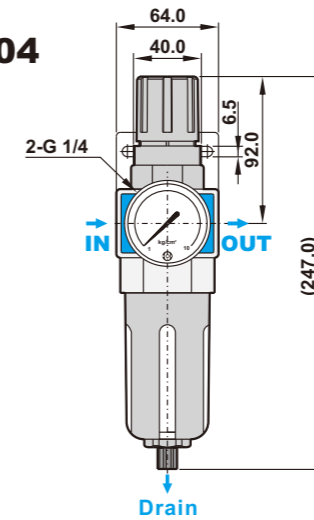
Flow chart



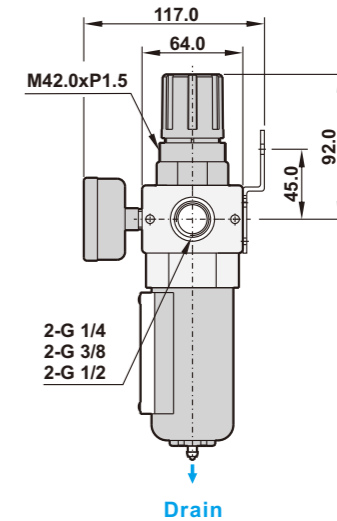
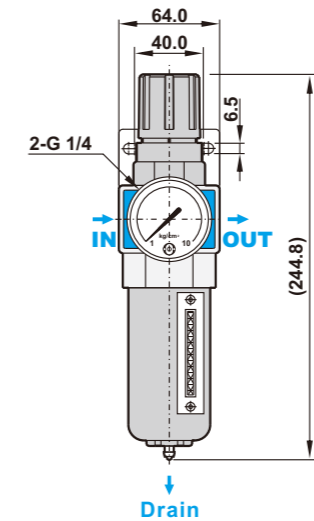
Note:
X axis: Flow (l/min)
Y axis: Pressure (kgf/cm²)
Blue line (P0) = Outlet pressure
Black line (P1) = Inlet pressure
P1-P0 = Pressure range

Dimensions

UFR-02, 03, 04



UFR-02AL, 03AL, 04AL (Aluminum bowl)



UFR-06, 08

