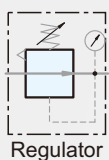


Symbol



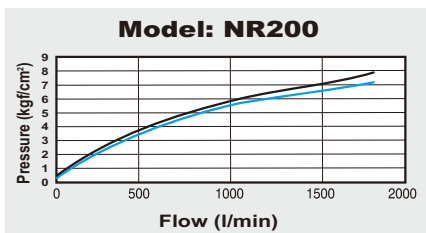
Features

- * Diaphragm design provides more accurate and easier pressure setting.
- * Panel mounting is available.

How to order

NR200		02		N		B		G	
NR200	Operating pressure 0.5~8kgf/cm ²	Port size		Thread		Mounting bracket		Pressure gauge	
NR200L4	Operating pressure 0~4kgf/cm ²	01	1/8"	Blank	G	Blank	W/O bracket	Blank	W/O gauge
NR200L2	Operating pressure 0~2 kgf/cm ²	02	1/4"	N	NPT	B	W/I bracket	G	W/I gauge
				R	Rc				

Flow chart



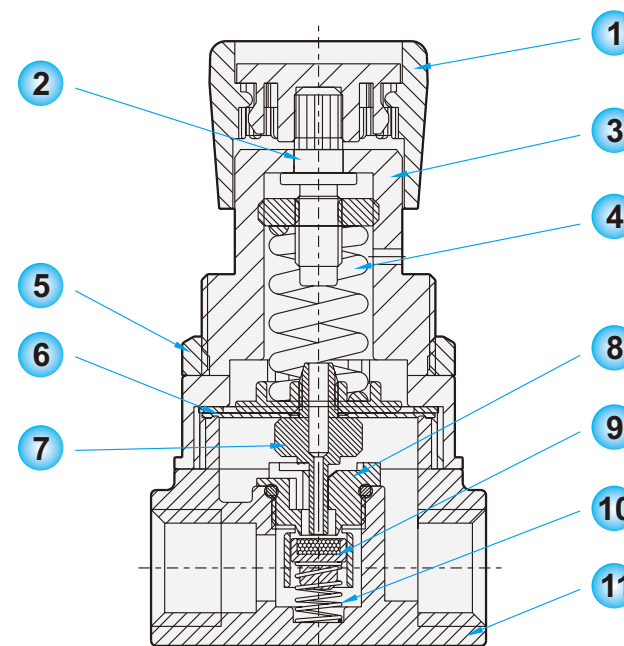
Note:
 X axis: Flow (l/min)
 Y axis: Pressure (kgf/cm²)
 Blue line (P0) = Outlet pressure
 Black line (P1) = Inlet pressure
 P1-P0=Pressure range

Specifications

Model	NR200	NR200L4	NR200L2
Port size		1/8", 1/4"	
Fluid		Compressed air	
Regulator construction		Diaphragm	
Body material		Aluminum die-cast	
Operating pressure range	0.5~8 kgf/cm ²	0.5~4 kgf/cm ²	0.5~2 kgf/cm ²
Proof pressure		12 kgf/cm ²	
Max. flow rate l/min (ANR)		1500	
Ambient temperature		-10°C ~ 60°C	
Color of knob plate	Blue	Orange	Yellow
Net weight		205g	
Accessories		Plug	

Construction

NR200-01, 02



No.	Description	Material
1	Regulator knob	NY
2	Pressure regulating screw	Fe+Ni
3	Regulator base	NY+GF
4	Spring	Spring steel
5	Lock nut	NY+GF
6	Diaphragm	NBR70°
7	Regulating needle	AL
8	Positioning nut	POM
9	Plug	Cu
10	Spring	SUS
11	Body	ADC12

Dimensions

NR200-01, 02

