

### Features

- \* Quick response.
- \* Stainless steel body and stem provide exceptional durability.
- \* Flange type is available for JIS 10K, ANSI 150LB and PN16.
- \* Ex-proof coil T4 as optional accessory.
- \* Timer for setting on/off time as optional accessory.
- \* CE and EX-proof certified for 04,06 series.
- \* Coil nut is available, please refer to page 7-6.



### How to order

<b>SPU220</b>	<b>A</b>	<b>N</b>	<b>E</b>	<b>F</b>	<b>-03</b>	<b>N</b>	<b>-S</b>	<b>1</b>	<b>LED</b>	<b>E</b>
Stainless steel 2/2 way assisted lift	Series	Acting style	Diaphragm	Flange type	Port size	Thread	Solenoid	Voltage	LED	Ex-proof coil
	Blank	Normally closed	Blank	VITON	F 10K	03 3/8"	Blank	G	1 110VAC	Blank
	N	Normally open	E	EPDM	F3 150LB	04 1/2"	N	NPT	2 220VAC	W/O LED
			B	NBR	F4 PN16 only for A series	06 3/4"	R	Rc	9 24VDC	
			H	HNBR						

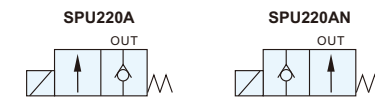
### Specifications

Model	SPU220A-03	SPU220A-04	SPU220A-06
Port size	3/8"	1/2"	3/4"
Fluid	Compressed air (light oil, water)		
Orifice	13mm		20mm
Effective area	76mm <sup>2</sup>		162mm <sup>2</sup>
Acting		Assisted lift	
Construction		Diaphragm	
Operating pressure range AC		0 ~ 7 kgf/cm <sup>2</sup>	
Operating pressure range DC	0 ~ 6 kgf/cm <sup>2</sup>		0 ~ 5 kgf/cm <sup>2</sup>
Proof pressure		10 kgf/cm <sup>2</sup>	
Body material / Flange material	Stainless steel SUS316 / SUS316,SUS304		
Fluid temperature		-10°C ~ 90°C	
Ambient temperature		-10°C ~ 60°C	
Installation		Horizontal	
Duty cycle		100% ED	
Coil type		DIN	
Protection class		IP65 (DIN 40 050)	
Insulation class		F	
Voltage tolerance		±10%	
Standard voltage	220VAC, 110VAC, 24VDC The other voltage is optional		
Power consumption	AC110V:17.6VA, AC220V:18.1VA, DC: 15W		
Net weight	715g		920g

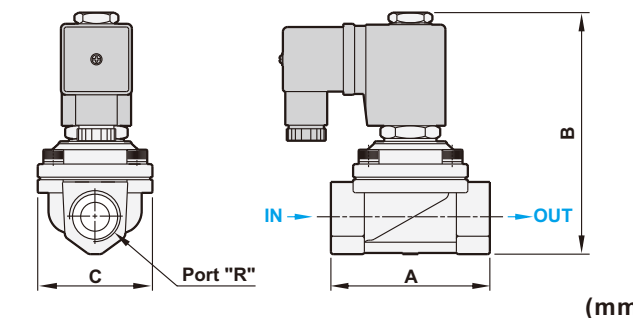
### Seal material selection guide

Seal	Temperature range	Suitable fluid	Unsuitable fluid
NBR	-15°C ~ 80°C	Air, Water, Neutral gases, Mineral oil	Fuel oil, Gasoline and Hi-test gasoline, Diesel fuel
HNBR	-40°C ~ 150°C	Air, Water, Gear oil, Engine oil	Pharmaceutical liquid, Gasoline and Hi-test gasoline, Light oil
VITON	-10°C ~ 180°C	Fuel oil, Gasoline and Hi-test gasoline, Diesel fuel	Hot water, Steam, Brake oil (ATE Blue)
EPDM	-5°C ~ 130°C	Hot water, Detergent liquid	Mineral oil, Gasoline

### Dimensions

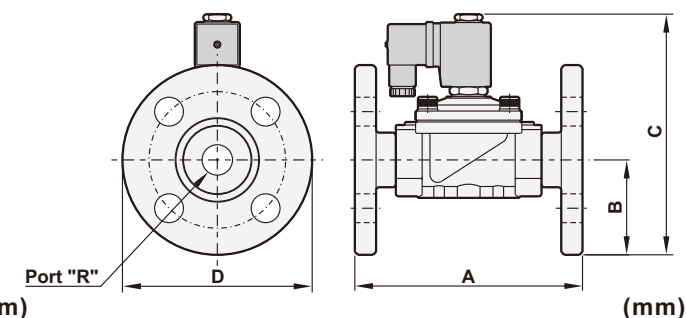


#### SPU220A-04, 06 Standard type



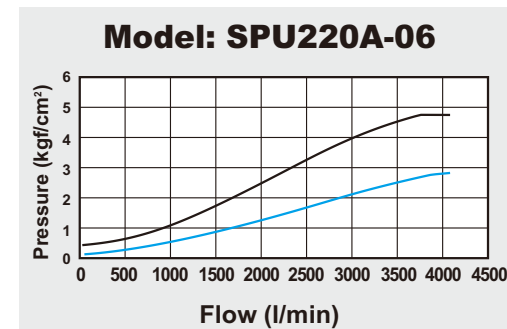
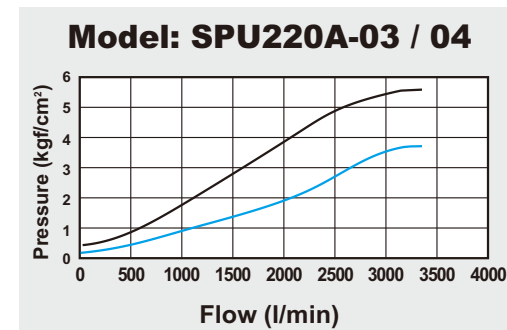
Model	SPU220A-03 / 04	SPU220A-06
R	3/8" 1/2"	3/4"
A	66.5	71.0
B	101.0	107.0
C	48.0	58.0

#### SPU220A-04, 06 Flange type (10K)



Model	SPU220AF-03 / 04	SPU220AF-06
R	3/8" 1/2"	3/4"
A	110.0	120.0
B	47.5	50.0
C	133.0	138.5
D	95.0	100.0

### Flow chart



### Explosion

