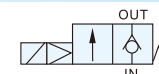


Features

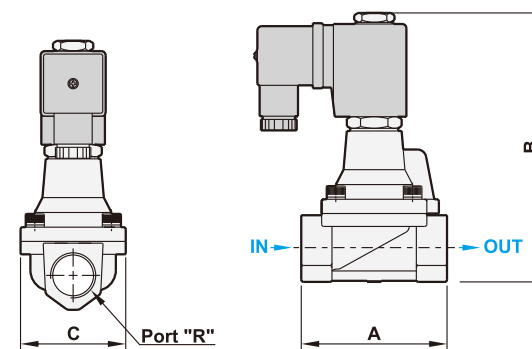
- * Pilot acting for low starting pressure.
- * Large flow rate.
- * Quick response.
- * Specially for steam use.
- * Flange type is available for JIS 10K, ANSI 150LB and PN16.
- * Ex-proof coil T4 as optional accessory.
- * Timer for setting on/off time as optional accessory.
- * Coil nut is available, please refer to page 7-6.



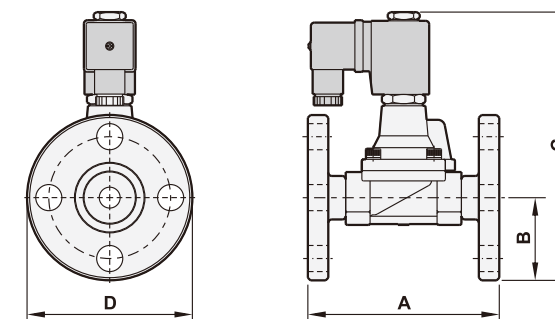
Dimensions



PU225S Standard type



PU225S Flange type (10K)



How to order

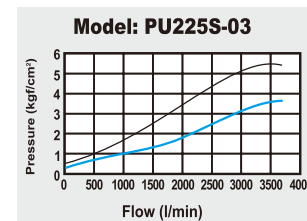
PU225	S	F - 03	N - S	1	LED	E	
Brass 2/2 way pilot acting	Series S Steam series	Flange type F 10K F3 150LB F4 PN16	Port size 03 3/8" 04 1/2" 06 3/4" 08 1"	Thread Blank G N NPT R Rc	Solenoid 1 110VAC 2 220VAC 9 24VDC	LED Blank/W/O LED	Ex-proof coil

Specifications

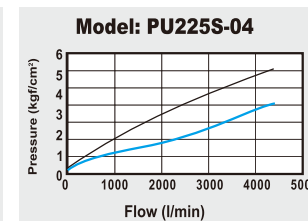
Model	PU225S-03	PU225S-04	PU225S-06	PU225S-08
Port size	3/8"	1/2"	3/4"	1"
Fluid	Compressed air, Hot water, Steam			
Orifice	13mm		25mm	
CV value	4.5		12	
Sectional area	88mm ²		230mm ²	
Acting	Pilot acting			
Construction	Piston			
Operating pressure range	0.5 ~ 10 kgf/cm ²			
Proof pressure	15 kgf/cm ²			
Body / Flange material	Forged brass / Steel			
Piston ring	SUS 304			
Fluid temperature	-10°C ~ 180°C			
Ambient temperature	-20°C ~ 60°C			
Installation	Horizontal			
Duty cycle	100% ED			
Coil type	DIN			
Protection class	IP65 (DIN 40 050)			
Insulation class	F (Optin: H class coil)			
Voltage tolerance	±10%			
Standard voltage	220VAC, 110VAC, 24VDC The other voltage is optional			
Power consumption	AC110V:17.6VA, AC220C:18.1VA, DC: 15W			
Net weight	860g	840g	1800g	1750g

Flow chart

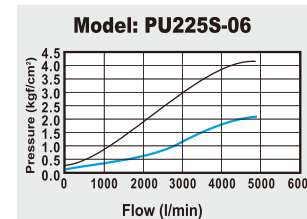
3/8" Pilot acting



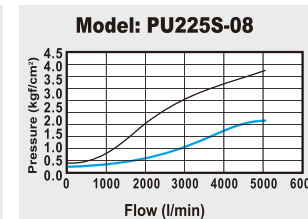
1/2" Pilot acting



3/4" Pilot acting



1" Pilot acting



Explosion

