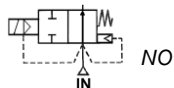


Media: air – water – light oil - steam  
 Pressure range: 0.5 to 20 Bar max  
 Media temperature: +180°C Max  
 Ambient temperature: -20° to +60°C  
 Media viscosity: 50 centistokes max  
 Mounting: coil upright  
 Opening / Closing 200 mSec Max



# 2/2 Steam

1/8 – 2  
 NORMALLY OPEN  
 2 WAY DIRECT/ SERVO  
 0 – 20 Bar  
 TYPE NOSA



### PRESSURE

| Ø Port BSP | Ø Orifice (mm) | Flow Kv Ltr/ min | Coil | Pressure Rating (Bar) ΔP |           |                | Part Number       |
|------------|----------------|------------------|------|--------------------------|-----------|----------------|-------------------|
|            |                |                  |      | Min                      | Max Steam | Max Air/ Water |                   |
| 1/8        | 3              | 4.43             | WPG1 | 0                        | 10        | 10             | NOSA6A + voltage  |
| 1/4        |                |                  |      | 0                        | 10        | 10             | NOSA8A + voltage  |
| 3/8        | 4              | 8.29             | WPG2 | 0                        | 10        | 10             | NOSA10A + voltage |
|            |                |                  |      | 0.5                      | 12        | 20             | NOSA14 + voltage  |
| 1/2        | 15             | 64.35            |      | 0.5                      | 12        | 20             | NOSA15 + voltage  |
|            |                |                  |      | 0.5                      | 12        | 20             | NOSA20 + voltage  |
| 3/4        | 20             | 133              |      | 0.5                      | 12        | 20             | NOSA25 + voltage  |
| 1          | 25             | 188.76           |      | 0.5                      | 12        | 20             | NOSA25 + voltage  |
| 1 1/4      | 35             | 371.8            |      | 0.5                      | 12        | 20             | NOSA35 + voltage  |
| 1 1/2      | 35             | 371.8            |      | 0.5                      | 12        | 20             | NOSA40 + voltage  |
| 2          | 50             | 686.4            |      | 0.5                      | 12        | 20             | NOSA50 + voltage  |

### OPTIONS

IP67 (EN60529:1991+A1:2000) UL + CSA Approved Coil & IP65 LED Connector PG11 DIN43650A  
 NPT Thread  
 WPA3C IP54 Class N coil with 30cm flying leads 33.6 Watts 57VA  
 Other custom-made options available upon request

### ELECTRICAL DATA

| Voltage (-10% + 10%)<br>Continuous duty 100% | Coil | Power Consumption |         | Insulation class | Enclosure                  | Electrical connections                        |
|--|------|-------------------|---------|------------------|----------------------------|---|
|  |      | Inrush            | Holding |                  |                            |   |
| ~ 24 - 110 - 230 (50 or 60 Hz)               | WPG1 | 11.2VA            | 8.2VA   | H 180°C          | IP 65<br>With<br>Connector | 3 spades<br>DIN 43650<br>DIN 40050<br>VDE0110 |
| = 12 - 24 - 48 (DC)                          |      | 12 Watts          |         |                  |                            |   |
| = 12 - 24 - 48 (DC)                          | WPG2 | 18.7VA            | 15.3VA  |                  |                            |   |
| ~ 24 - 110 - 230 (50 or 60 Hz)               |      | 18 Watts          |         |                  |                            |   |

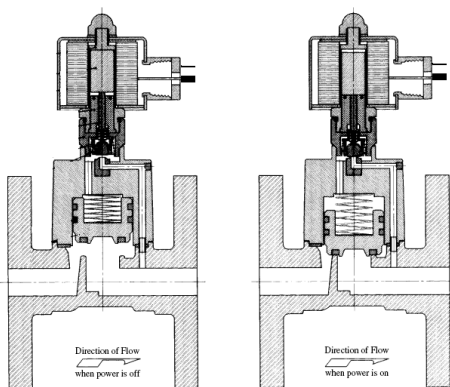
### CONSTRUCTION

Body: Brass  
 Tube and internal parts: Stainless steel  
 Seals and gaskets: PTFE  
 Moulded coil: Resin

### REPAIR KIT

|                   |                                    |
|-------------------|------------------------------------|
| Coil              | Coil size (WPG1 or WPG2) + voltage |
| Piston            | SP + Valve Part Number -PISTON     |
| Armature assembly | SP + Valve Part Number -ARMATURE   |

### OVERALL DIMENSIONS



| Model  | A   | B   | C   | D  | E  | F  | G     | H    | Kg   |
|--------|-----|-----|-----|----|----|----|-------|------|------|
| NOSA6  | 41  | 19  | 86  | 41 | 40 | -  | 1/8   | 10.5 | 0.35 |
| NOSA8  | 41  | 19  | 86  | 41 | 40 | -  | 1/4   | 10.5 | 0.4  |
| NOSA10 | 50  | 25  | 91  | 52 | 45 | -  | 3/8   | 11.7 | 0.5  |
| NOSA14 | 75  | 52  | 158 | 40 | 65 | 38 | 3/8   | 15   | 1.65 |
| NOSA15 | 75  | 52  | 158 | 40 | 65 | 38 | 1/2   | 15   | 1.63 |
| NOSA20 | 85  | 60  | 165 | 40 | 65 | 38 | 3/4   | 18   | 2.13 |
| NOSA25 | 100 | 70  | 172 | 40 | 65 | 38 | 1     | 23   | 2.35 |
| NOSA35 | 120 | 90  | 192 | 40 | 65 | 38 | 1 1/4 | 33   | 3.85 |
| NOSA40 | 120 | 90  | 192 | 40 | 65 | 38 | 1 1/2 | 33   | 3.3  |
| NOSA50 | 150 | 120 | 216 | 40 | 65 | 38 | 2     | 40.5 | 7.35 |

