

QUEEN

Kick pilot operated solenoid valves normally closed, energized to open



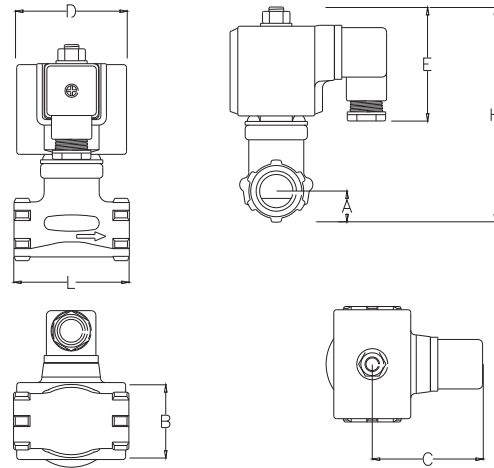
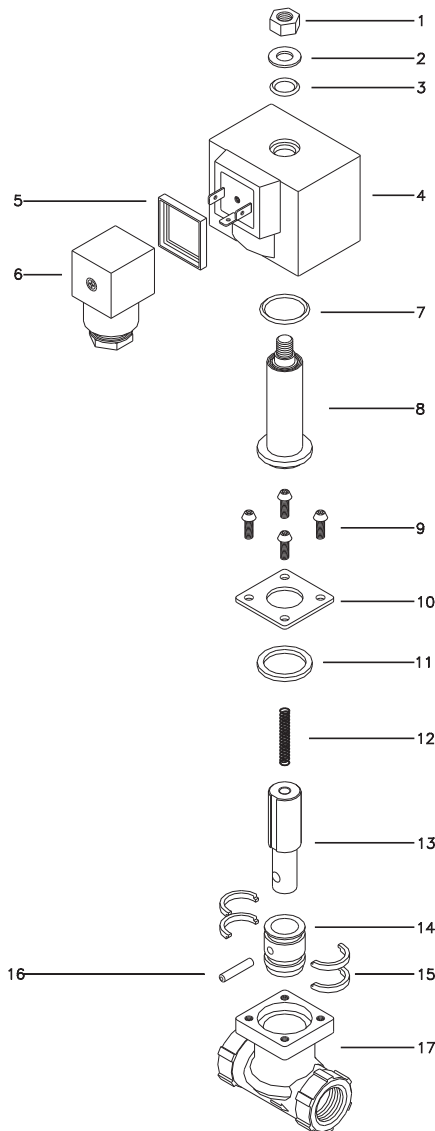
Features:

1. Suitable for steam, air, vacuum, inert gases, water, and oil (Below 50 cst).
2. Kick pilot operated, wide operating pressure rang from 10 TORR to 10kg*f/cm² , fast response, long life constructive device.
3. Can be mounted in vertical position or vertical ±15° is allowed.
4. Fluid temperature from -10°C (non-freezing) to 180 °C.
5. Valve seat : non-leakage.

Model	Connection	Orifice (mm)	Cv Value	Operating pressure (kg*f/cm ²)			Max. Media Temp.	Power Consumption VA
				Steam	Water	Oil (Below 50cst)		
MK-15S-M17	PT1/2"	15	3.0	0-10	0-8	0-7	180°C	26
MK-20S-M17	PT3/4"	20	4.9					
MK-25S-M17	PT1"	25	6.2					

* NPT on request.

Model	Connection	L (mm)	H (mm)	A (mm)	B (mm)	C (mm)	D (mm)	E (mm)
MK-15S-M17	PT1/2"	63	120	17	30	65	60	60
MK-20S-M17	PT3/4"	74	128	19	33			
MK-25S-M17	PT1"	88	133	24	41			



NO.	Descriptions	Material	NO.	Descriptions	Material
1	Hexagon Nut	BSBM	10	Plate	SPC
2	Washer	SPC	11	Packing	TEFLON
3	O ring	NBR	12	Plunger spring	SUS304
4	H Class IP65 molding solenoid coil		13	Plunger	KM-31
5	Terminal boxpackingpad		14	Main valve	BC 6
6	Terminal box		15	Piston ring	TEFLON
7	O ring	NBR	16	Sleeve pin	SUS303L
8	Plunger tube unit	SUS304, KM-31	17	Valve body	BC 6
9	Bolt	SUS304			