

Media: Water, Air, Oil, Vacuum, Gas, Liquid  
 Pressure range: 10 Bar  
 Media temperature: -5°C to +120°C  
 Ambient temperature: 0°C to +50°C  
 Mounting: Upright or Vertical +/- 15°  
 Failsafe Closing time : 2.5 Seconds  
 Cycle life: 60000+ cycles

# Actuated Ball Valve

## 1/2" – 1 1/2" BSP

### 2 Way Ball Valve

### Failsafe Closed or Open

## TYPE: MK3-2



### PRESSURE

Valve Type	Ø Port BSP	Ø Orifice (mm)	Pressure		Part Number
			Min	Max	
Normally Closed	1/2"	15	0	10	MK3-2-15 + Valve Type + Voltage
	3/4"	20	0	10	MK3-2-20 + Valve Type + Voltage
Or Normally Open	1"	25.4	0	10	MK3-2-25 + Valve Type + Voltage
	1 1/4"	32	0	10	MK3-2-32 + Valve Type + Voltage
	1 1/2"	38	0	10	MK3-2-38 + Valve Type + Voltage

### OPTIONS

IP65 Insulation  
 Failsafe Open or Failsafe Closed  
 Larger sizes, higher pressure, flanged and different actuator combinations available upon request.

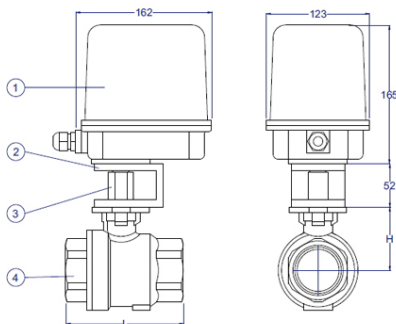
### ELECTRICAL DATA

Voltage (-10% + 15%) Continuous duty 100%	Actuator	Power	Enclosure	Electrical connections
~ 100-115vAC, 200-240vAC (50 or 60 Hz)	MK3	80VA	IP 65	2 Lead Wires

### CONSTRUCTION

Body: Stainless Steel  
 Tube and internal parts: Stainless Steel  
 Seals and gaskets: PTFE  
 Actuator housing: aluminium alloy

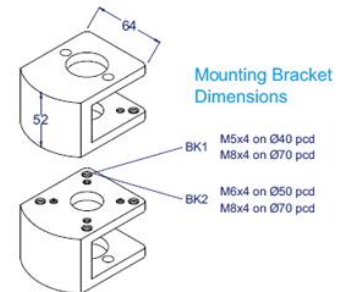
### OVERALL DIMENSIONS



No	Description	Material
1	Motor actuator	Assembly
2	Mounting Bracket	FC20
3	Socket	50BV30 Carbon steel
4	Ball Valve	CF8M Stainless steel

#### Socket's Dimensions

Type	ST1	ST2	ST3
Connect with Actuator	19	19	19
Connect with Valve stem	9	11	14



2 Way Full Port Ball Valve Dimensions							
Size	øD (mm)	L (mm)	H (mm)	A (mm)	B (mm)	ISO5211	Kg
1/2	15	69	35	9	10	F03-04	0.4
3/4	20	80	39	9	10	F03-04	0.5
1	25.4	90	45	11	14	F04-05	0.9
1 1/4	32	106	56	11	14	F04-05	1.4
1 1/2	38	120	63	14	19.5	F05-07	2.0
2	50	140	75	14	19.5	F05-07	3.4

