

Features

1. Quick response.
2. Stainless steel body and stem provide exceptional durability.
3. Flange type is available for JIS 10K, ANSI 150LB and PN16.
4. Ex-proof coil T4 as optional accessory, please refer to page 5-9.
5. Timer for setting on/off time as optional accessory.
6. CE and EX-proof certified for 04,06 series.
7. Coil nut is available, please refer to page 5-3.



How to order

SPU220A N	E	F	03	N	S1	L	E	
Stainless steel Assisted lift	Acting style	Diaphragm	Flange type	Port size	Thread	Voltage	Led	Ex-Proof coil
	Blank: Normally closed N : Normally open	Blank: VITON E : EPDM B : NBR H : HNBR	F : 10K F3: 150LB F4: PN16 only for A series	03: 3/8" 04: 1/2" 06: 3/4"	Blank: G N : NPT R : Rc	S1: 110VAC S2: 220VAC S6: 24VAC S7: 12VDC S9: 24VDC	Blank: W/O LED L : W/I LED	Blank: Standard E: EX-proof coil

Specifications

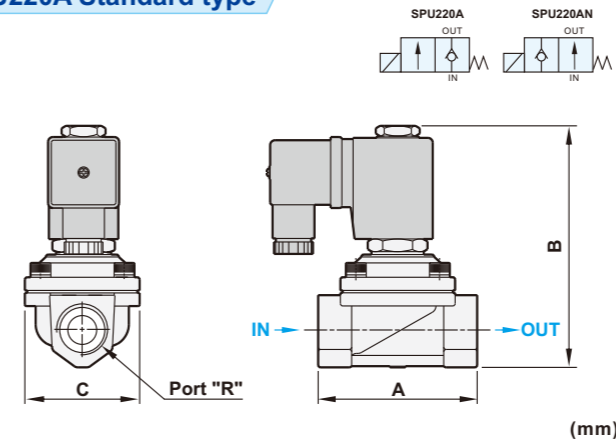
Model	SPU220A-03	SPU220A-04	SPU220A-06
Port size	3/8"	1/2"	3/4"
Fluid	Compressed air (light oil, water)		
Orifice	13mm		20mm
Effective area	76mm ²		162mm ²
Acting	Assisted lift		
Construction	Diaphragm		
Operating pressure range AC	0 ~ 7 kgf/cm ²		
Operating pressure range DC	0 ~ 6 kgf/cm ²	0 ~ 5 kgf/cm ²	
Proof pressure	10 kgf/cm ²		
Body material / Flange material	Stainless steel SUS316 / SUS316, SUS304		
Fluid temperature	-10°C ~ 90°C		
Ambient temperature	-10°C ~ 60°C		
Installation	Horizontal		
Duty cycle	100% ED		
Coil type	DIN		
Protection class	IP65 (DIN 40 050)		
Insulation class	F		
Voltage tolerance	±10%		
Standard voltage	220VAC, 110VAC, 24VDC, the other voltage is optional		
Power consumption	AC110V: 17.6VA, AC220V: 18.1VA, DC: 15W		
Net weight	715g	920g	

Seal material selection guide

Seal	Temperature range	Suitable fluid	Unsuitable fluid
NBR	-15°C ~ 80°C	Air, Water, Neutral gases, Mineral oil	Fuel oil, Gasoline and Hi-test gasoline, Diesel fuel
HNBR	-40°C ~ 150°C	Air, Water, Gear oil, Engine oil	Pharmaceutical liquid, Gasoline and Hi-test gasoline, Light oil
VITON	-10°C ~ 180°C	Fuel oil, Gasoline and Hi-test gasoline, Diesel fuel	Hot water, Steam, Brake oil (ATE Blue)
EPDM	-5°C ~ 130°C	Hot water, Detergent liquid	Mineral oil, Gasoline

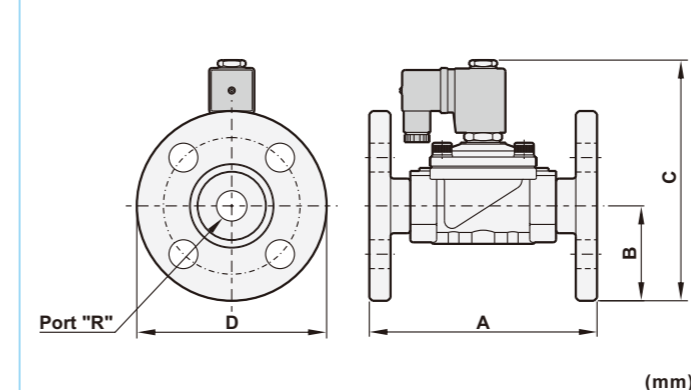
Dimensions

SPU220A Standard type



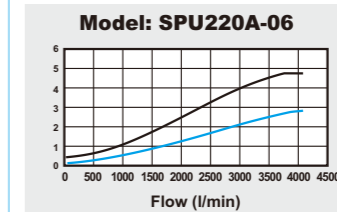
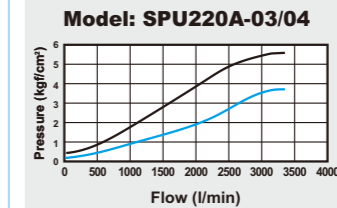
Model	SPU220A-03/04	SPU220A-06
R	3/8" 1/2"	3/4"
A	66.5	71
B	101	107
C	48	58

SPU220A Flange type (10K)



Model	SPU220AF-03/04	SPU220AF-06
R	3/8" 1/2"	3/4"
A	110	120
B	47.5	50
C	133	138.5
D	95	100

Flow chart



Explosion

