

Media: air – water – oil – aggressive
 Pressure range: 0 to 68 Bar max
 Media temperature: -10°C +120°C max
 Ambient temperature: -10°C to +50°C
 Media viscosity: 500 centistokes max
 Mounting: any position
 Compressed air supply: 4 - 6 bar

2/2 Stainless

1/4 - 3"

DOUBLE ACTING

Pneumatic Actuated Ball Valve

0 – 68 Bar

TYPE SCY2223



PRESSURE

Ø Port BSP	Orifice (mm)	Pressure (Bar)		Part Number
		Min	Max	
1/4	11.6	0	68	SCY2223CA-02
3/8	12.7	0	68	SCY2223CA-03
1/2	15	0	68	SCY2223CA-04
3/4	20	0	68	SCY2223CA-06
1	25	0	68	SCY2223CA-08
1 1/4	32	0	68	SCY2223CA-12
1 1/2	40	0	68	SCY2223CA-14
2	50	0	68	SCY2223CA-20
2 1/2	65	0	68	SCY2223CA-24
3	80	0	68	SCY2223CA-30

OPTIONS

NPT Thread
 Limit Switch

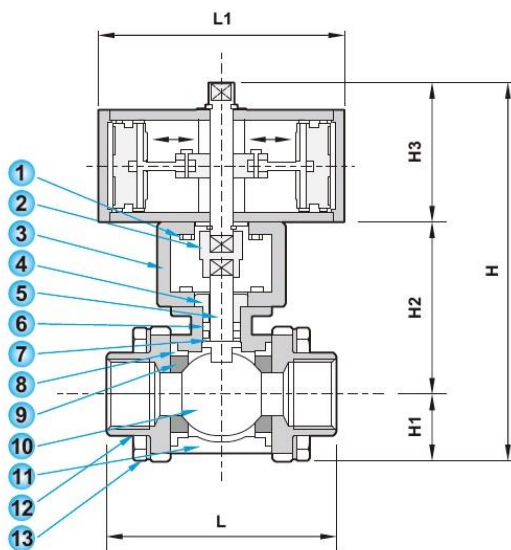
CONSTRUCTION

Ball valve: 316 stainless steel 3 piece
 Ball Valve: Seals and gaskets : PTFE
 Actuator: Aluminium Alloy Double Acting

REPAIR KIT

Actuator Only to suit 1/2 or 3/4
 Actuator Only to suit 1
 Actuator Only to suit 1 1/4, 1 1/2 or 2
 Actuator Only to suit 2 1/2 or 3

OVERALL DIMENSIONS



Port	L	L1	H	H1	H2	H3
1/4	65	109	175	20	76	79
3/8	65	109	175	20	76	79
1/2	74	109	185	24	82	79
3/4	83	109	191	27	85	79
1	94	131	208	30	88	90
1 1/4	105	165	238	35	94	109
1 1/2	120	165	268	40	119	109
2	136	165	283	47	127	109
2 1/2	167.5	200	258	59	155	128
3	189	200	337	67	168	128

No.	Description	Material	Quantity
1	Bolt	SUS304	4
2	Adaptor	SCS13	1
3	Yoke	SCS13	1
4	Gland	SUS304	1
5	Stem	SUS304	1
6	Gland packing	PTFE	4
7	Packing	Teflon	1
8	Packing	PTFE	1
9	Seat ring	PTFE	1
10	Ball	ASTM A351 GR.CF8M	1
11	Body	ASTM A351 GR.CF8M	1
12	End cap	ASTM A351 GR.CF8M	2
13	Bolt	SUS304	4