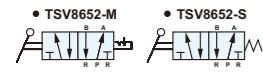


TSV Series 5/2 Way Hand Control Valve

Symbol



Features

1. Easy operation.
2. Large flow rate.
3. Suitable for vacuum operation.
4. Available for panel mounting.
5. Mounting bracket as optional accessory.
6. TSV8652R-01/02 for manifold assembly.



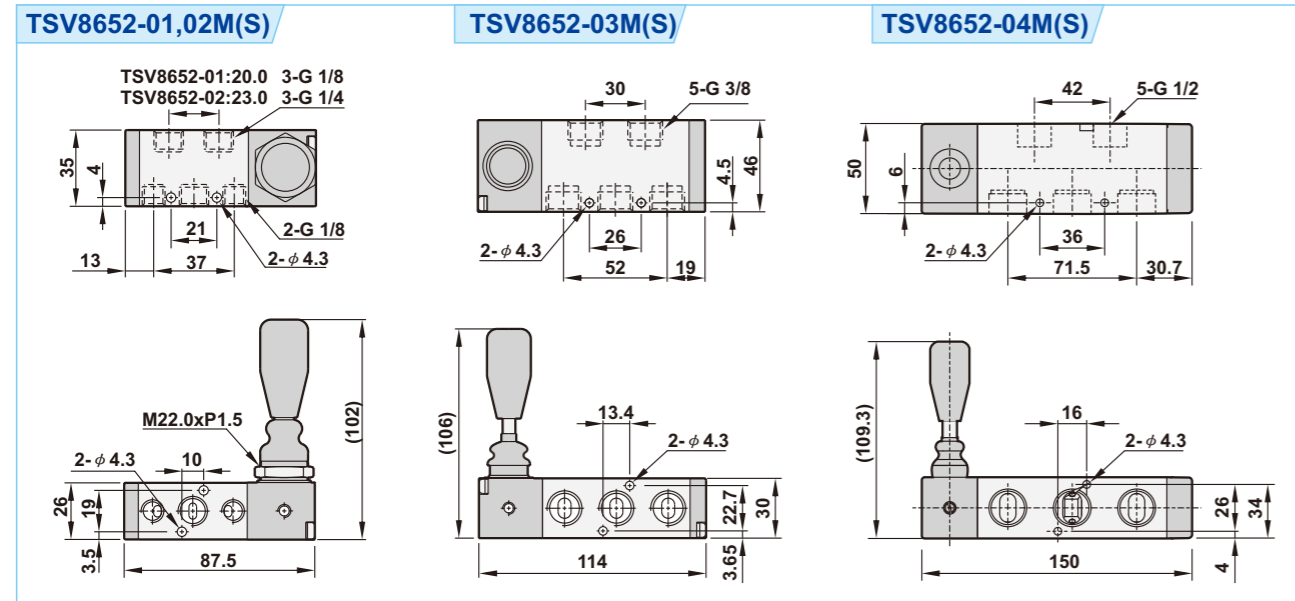
How to order

TSV8652	R	-	02	N	M	F
5/2 Way	Manifold		Port size	Thread	Acting	Mounting bracket
	Blank : Standard R : Manifold type (for 1/8", 1/4" port only)		01 : 1/8" 02 : 1/4" 03 : 3/8" 04 : 1/2"	Blank : G N : NPT R : Rc	S : Spring return M : Detent	Blank : W/O bracket F : W/ mounting bracket (For 1/8", 1/4" port only)

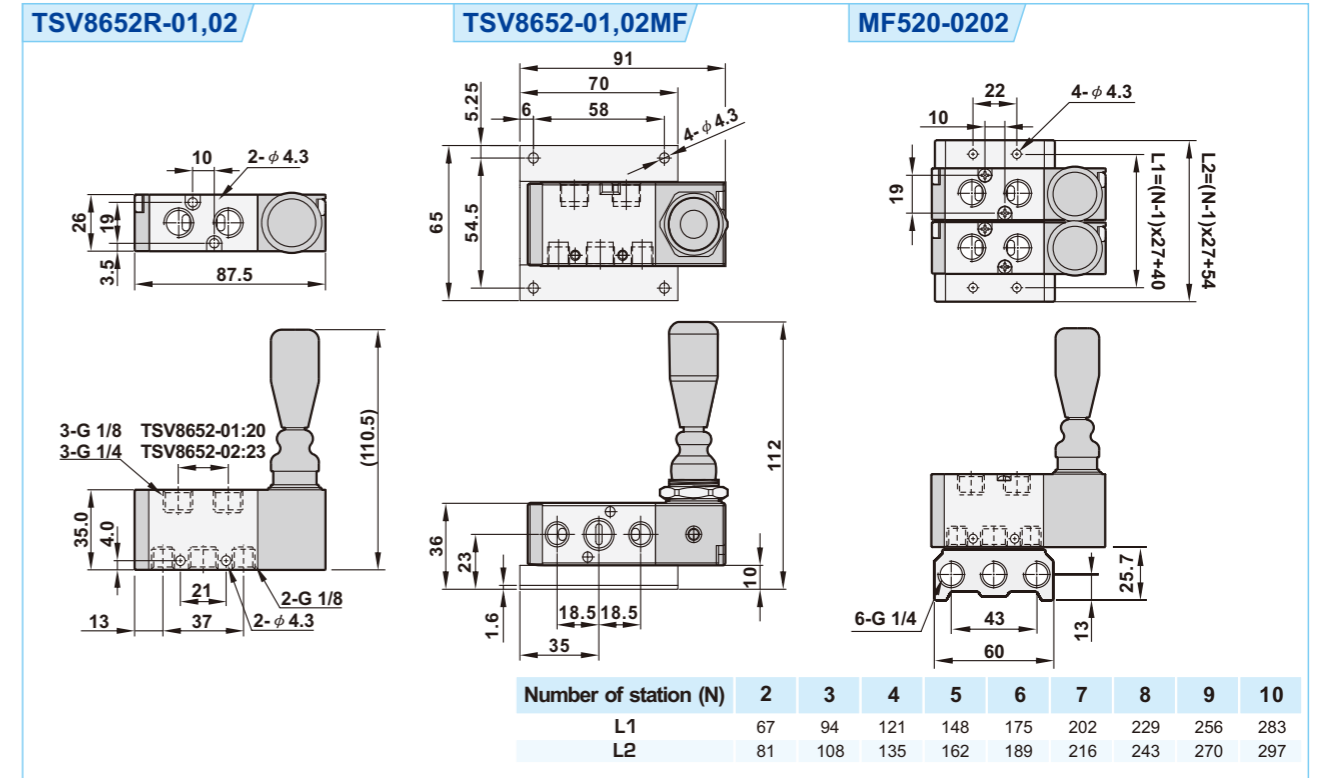
Specifications

Model	TSV8652(R)-01M(S)	TSV8652(R)-02M(S)	TSV8652-03M(S)	TSV8652-04M(S)
Port size	1/8"	1/4"	3/8"	1/2"
Body material	Aluminum alloy			
Fluid	Compressed air			
Sectional area	14mm ²	18mm ²	35mm ²	38mm ²
Operating pressure range	0 ~ 9 kgf/cm ²			
Proof pressure	10 kgf/cm ²			
Ambient temperature	-10°C ~ 60°C			

Dimensions



Dimensions



Explosion

