

UFB-UMF-UMFKB



Symbol



Pre Filter

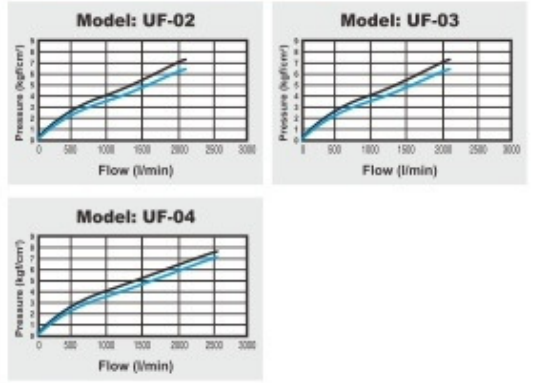
How to order

UF	-	02	N	C	H	B	A		
Filter	Port size	Thread		Filtration	Drain	Mounting		Bowl	
02	1/4"	Blank	G	PE	Blank	Blank	W/O bracket	Blank	Standard bowl
03	3/8"	N	NPT	Blank	H	B	W/I bracket	A	Anti-acid & alkali bowl
04	1/2"	R	Rc	C	D			AL	Aluminum bowl (1/4"~1/2")
				Sintered brass					
				S					
				T					

Specifications

Model	UF-02	UF-03	UF-04
Port size	1/4"	3/8"	1/2"
Fluid	Compressed air		
Body material	Aluminum die-cast		
Bowl material	Polycarbonate (Standard), Anti-acid & alkali bowl (Option), Aluminum bowl (Option)		
Filtration	PE: 5 μm (Standard), 40 μm (Option) Sintered brass (Option): 5 μm, 40 μm		
Operating pressure range	0.5 ~ 10 kgf/cm ²		
Proof pressure (Standard bowl)	15 kgf/cm ²		
Max. flow rate l/min (ANR)	2440	2450	3030
Ambient temperature	-10°C ~ 60°C		
Filter bowl capacity	105cc		
Standard drain	Semi-auto drain (Drains below 0.5kgf/cm ²)		
Net weight	530g (W/I Aluminum bowl 830g)		

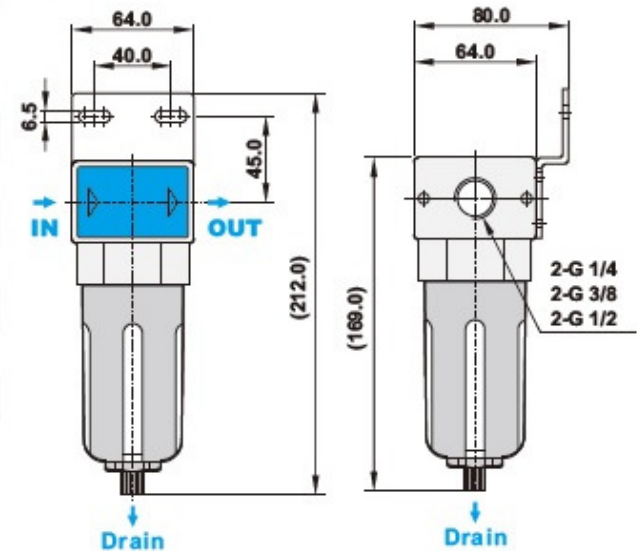
Flow chart



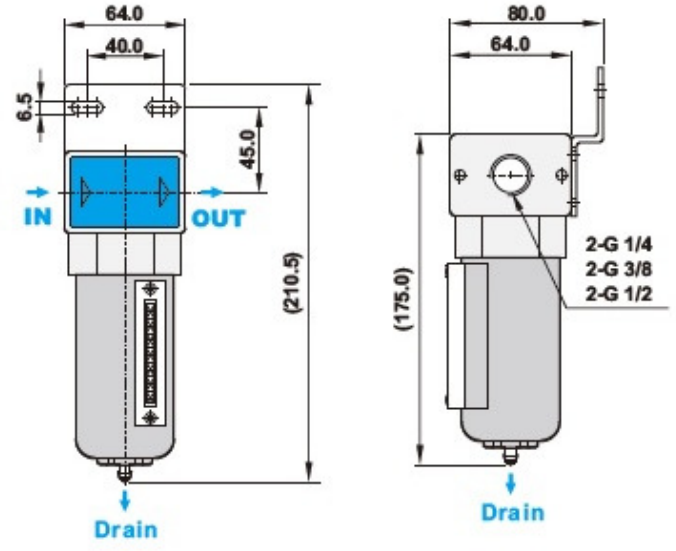
Note:
 X axis: Flow (l/min)
 Y axis: Pressure (kgf/cm²)
 Blue line (P0) = Outlet pressure
 Black line (P1) = Inlet pressure
 P1-P0 = Pressure range

Dimensions

UF-02, 03, 04



UF-02AL, 03AL, 04AL (Aluminum bowl)



Coalescing & Activated Carbon Filters

Features

- * UMF series effectively removes oil vapour, moisture, particles, bacteria and odours.
- * 0.01 micron glass fibre and activated carbon filter elements.
- * High quality control ensures stable running and long service life.
- * Air quality indicator for coalescing and activated charcoal filters, prevent system failure.
- * UF 5 micron pre filter extends filter service life.



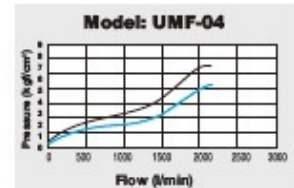
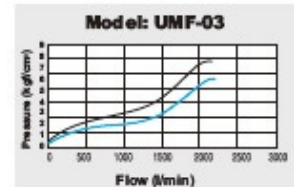
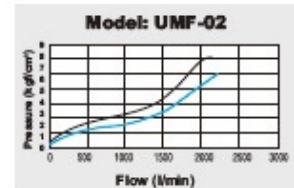
How to order

UMF	-02	N	K	H	B	A
Coalescing filter	Port size	Thread	Filtration	Drain	Mounting bracket	Bowl
	02 1/4"	Blank G	Blank 0.01 μ m	Blank Semi-auto drain	Blank W/O bracket	Blank Standard bowl
	03 3/8"	N NPT	L 0.1 μ m (For 02,03,04)	H Manual drain	B W/I bracket	A Anti-acid & alkali bowl
	04 1/2"	R Rc	K Activated charcoal filter element			AL Aluminum bowl (1/4"~1/2")

Specifications

Model	UMF-02	UMF-03	UMF-04
Port size	1/4"	3/8"	1/2"
Fluid	Compressed air		
Body material	Aluminum die-cast		
Bowl material	Polycarbonate (Standard), Anti-acid & alkali bowl (Option), Aluminum bowl (Option)		
Filtration	0.01 μ m (Standard)		
Operating pressure range	0.5 ~ 10 kgf/cm ²		
Proof pressure	15 kgf/cm ²		
Max. flow rate l/min(ANR)	2050	2100	2150
Ambient temperature	0 $^{\circ}$ C ~ 60 $^{\circ}$ C		
Filter bowl capacity	65cc		
Standard drain	Semi-auto drain (Drains below 0.5kgf/cm ²)		
Net weight	600g		

Flow chart



Dimensions

UMF-02, 03, 04

